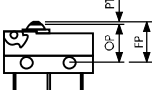

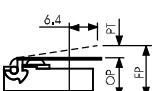
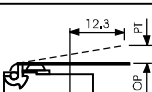
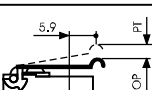
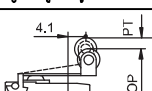
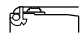
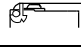



■ OPERATING CHARACTERISTICS

ACTUATOR TYPES	PART SUFFIX	OF Max. (g)	OP (mm)	PT Max. (mm)	OT Min. (mm)	MD Max. (mm)	FP Max. (mm)	RF Min. (g)
	-00A0	203	8.4 ±0.3	1.2	0.6	0.2	9.3	50
	-01A0	82	8.8 ±1.1	4.3	0.9	0.6	12.0	16
	-02A0	66	8.8 ±1.2	4.8	1.0	0.7	12.4	13
	-03A0	54	8.8 ±1.6	6.3	1.6	0.9	13.5	11
	-04A0	68	10.7 ±1.2	4.6	1.0	0.65	14.1	14
	-05A0	72	14.5 ±1.1	4.3	0.9	0.6	17.7	15

■ ORDERING INFORMATION (DUSTPROOF MICRO SWITCH)

S	W	—	0	5	S	—	0	0	A	0	
S E R I E S P R E F I X	C O D E	R A T I N G C U R R E N T	C O D E	O P E R A T I N G F O R C E	C O D E	A C T U A T O R T Y P E	C O D E	T E R M I N A L T Y P E	C O D E	C I R C U I T A R R A N G E M E N T	
											05
						01		P	PCB TERMINAL (P)	A	S.P.D.T.
						02					
						03		B	QUICK CONNECT TERMINAL #110(B)		